

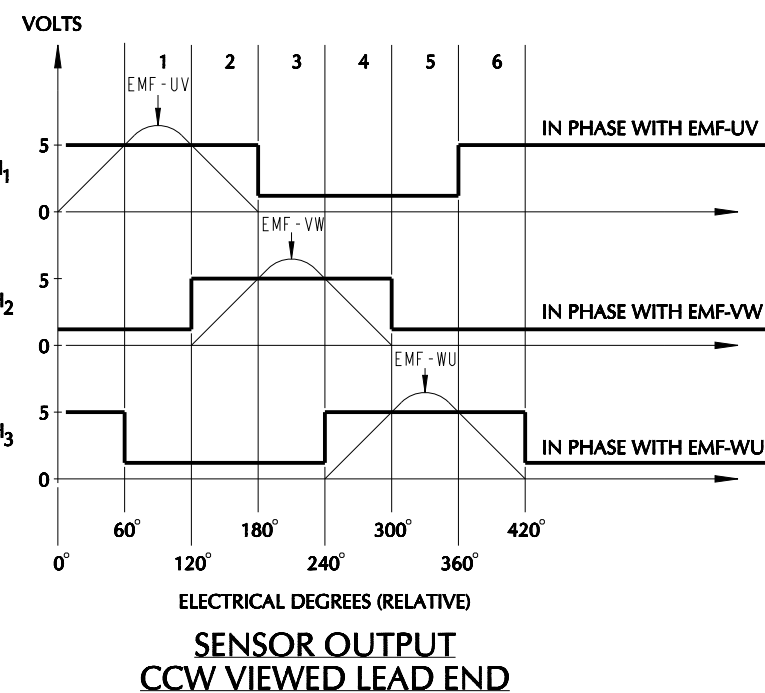
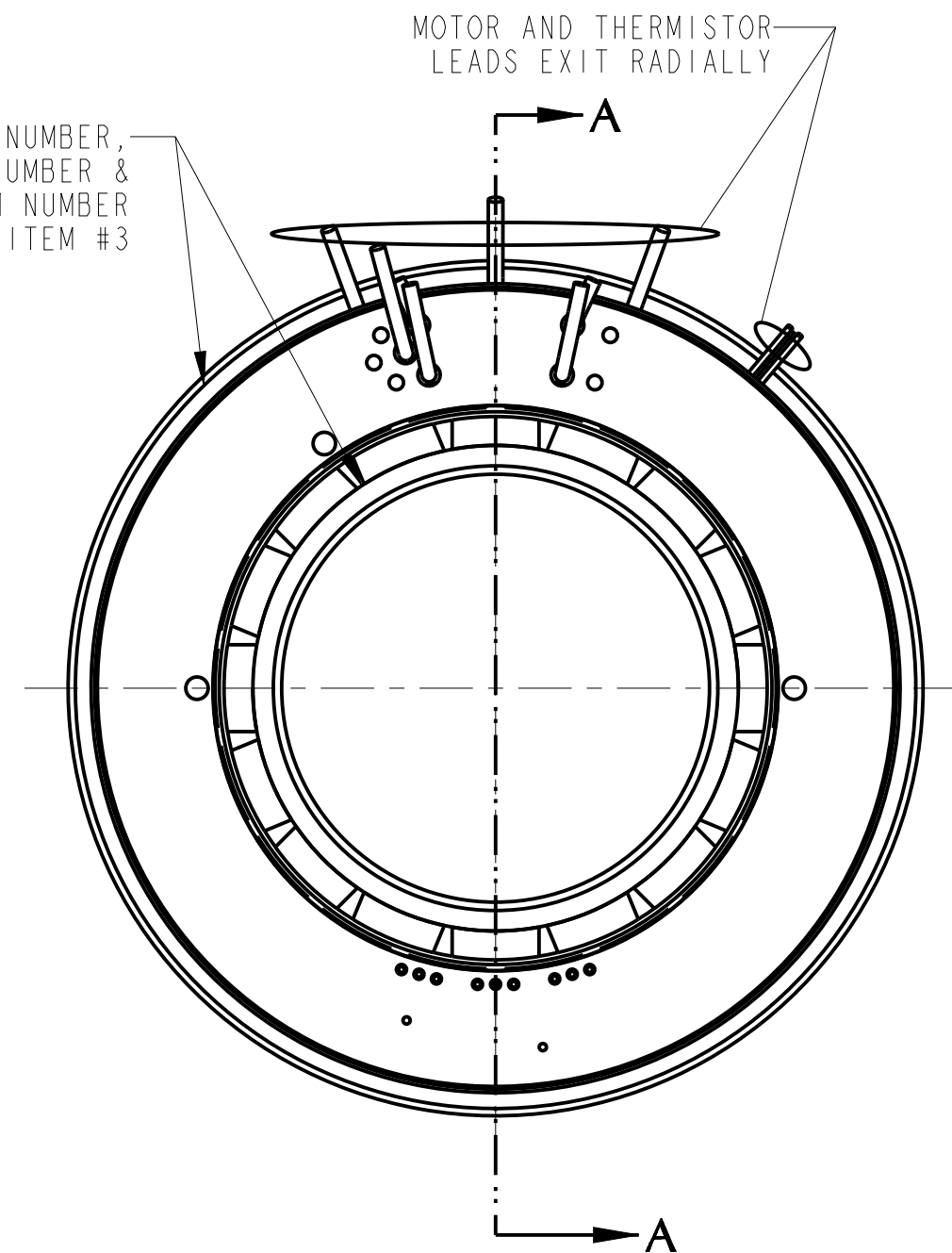
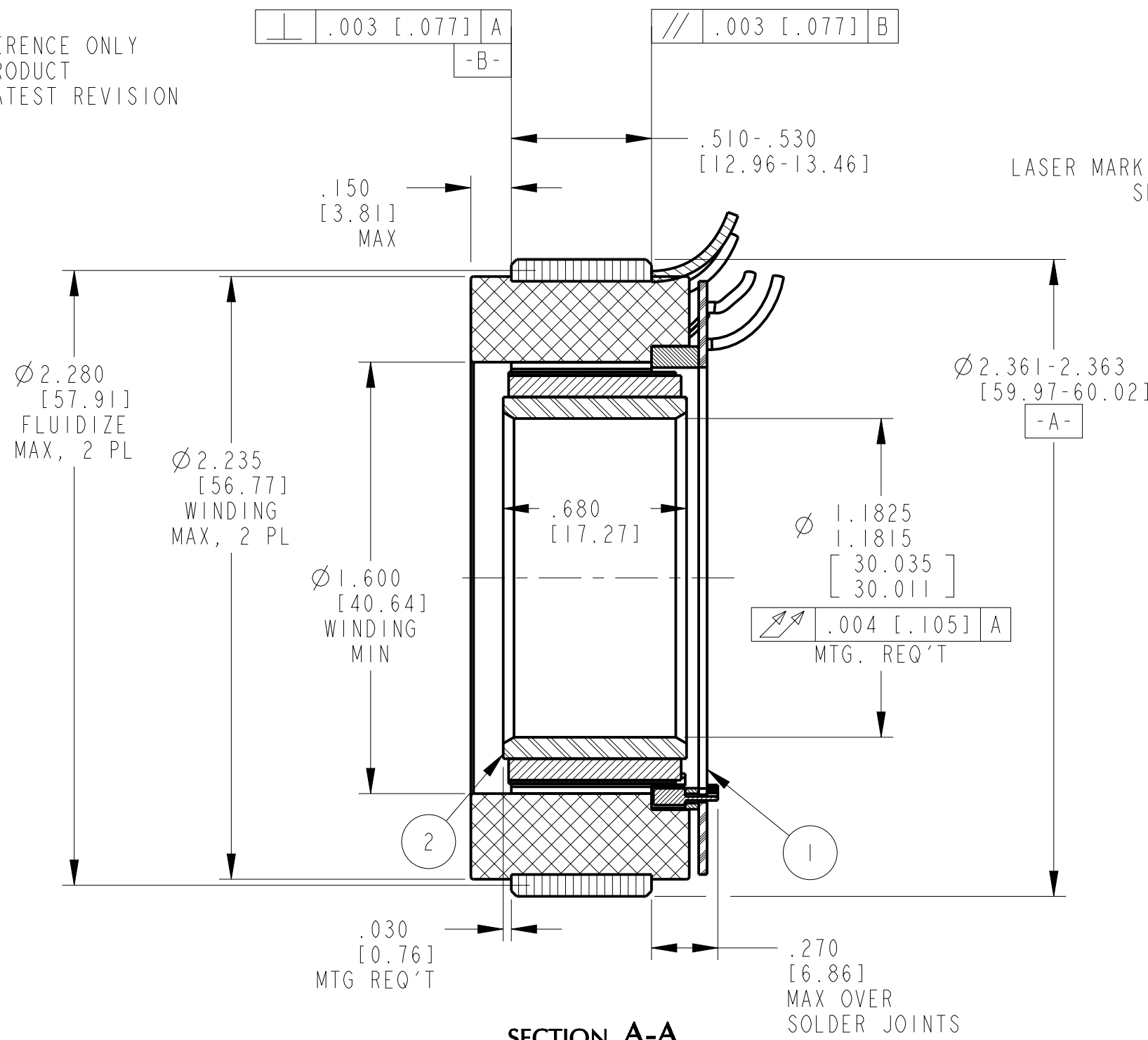
- NOTES:
1. MOTOR SUPPLIED AS TWO SEPARATE COMPONENTS, ARMATURE & SENSOR ASSEMBLY AND FIELD ASSEMBLY
 2. FOR A C.C.W. ROTATION AS VIEWED FROM LEAD END, ENERGIZE PER EXCITATION SEQUENCE TABLE
 3. R = 1.5K OHMS APPROX. (CUSTOMER SUPPLIED)
 4. EMF-UV, EMF-VW AND EMF-WU IS BACK EMF OF MOTOR PHASES UV, VW AND WU ALIGNED WITH SENSOR OUTPUT SHOWN FOR CCW ROTATION ONLY
 5. MOUNTING SURFACE IS BETWEEN $\varnothing 2.280$ [57.91] AND $\varnothing 2.363$ [60.02] ON BOTH SIDES
 6. SENSORS OPTIMIZED FOR BI-DIRECTIONAL ROTATION
 7. DIMENSIONS IN BRACKETS [] ARE IN MILLIMETERS AND ARE REFERENCE ONLY
 8. RoHS AND REACH COMPLIANT IN ACCORDANCE WITH KOLLMORGEN PRODUCT ENVIRONMENTAL COMPLIANCE SPECIFICATION, 960303, IN ITS LATEST REVISION

REVISION				
REV	ECN NO.	DESCRIPTION	DATE	APPROVED
A	R01_17754	SEE ECO	ALM 3/17/16	KLR
B	R01_18730	SEE ECO	ALM 3/10/17	KLR

MOTOR LEADS:
 #18 AWG, TEFLON COATED PER MIL-W-22759/11
 3 LEADS, 400 MM [15.75] MIN
 1-BLUE, 1-BROWN, 1-VIOLET

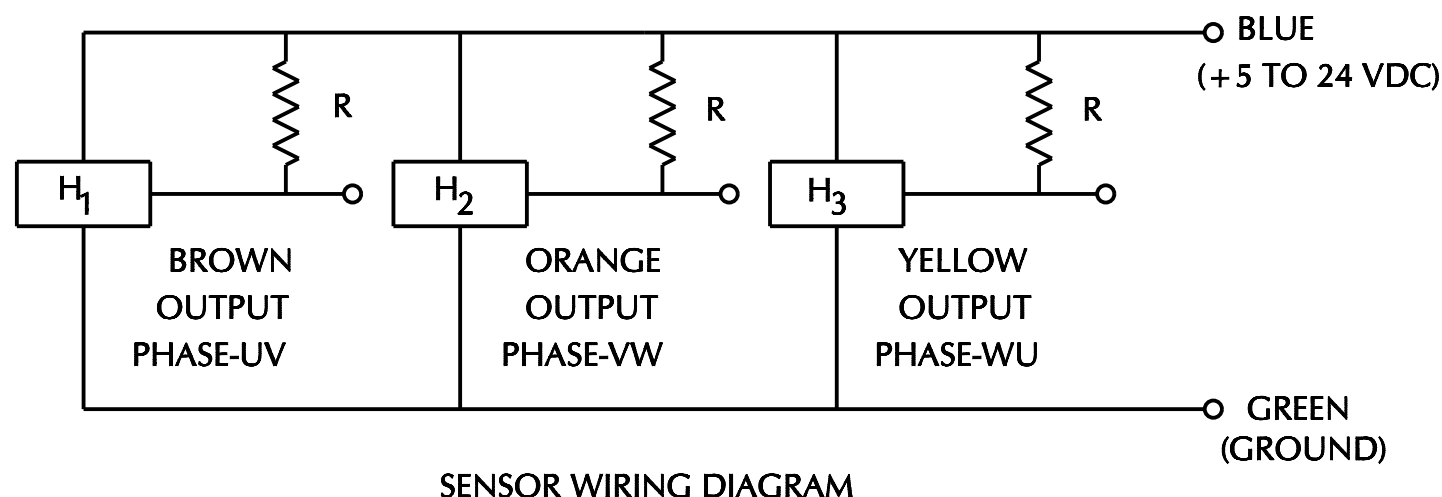
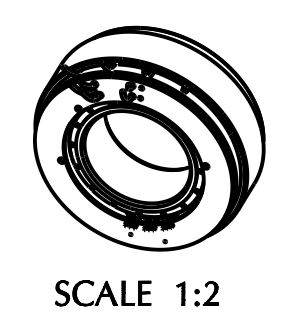
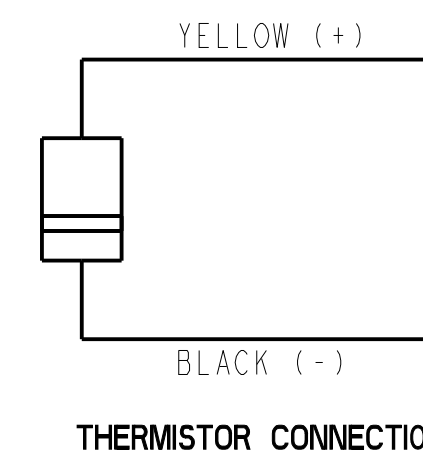
THERMISTOR LEADS:
 KTY84/130 THERMISTOR
 #26 AWG TEFLON COATED PER MIL-W-22759/11,
 2 LEADS, 400 MM [15.75] MIN LG EACH
 1-YELLOW, 1-BLACK

SENSOR LEADS:
 #28 AWG TEFLON COATED PER MIL-W-22759/11,
 5 LEADS, 400 MM [15.75] MIN LG EACH
 1-BLUE, 1-ORANGE, 1-BROWN, 1-GREEN, 1-YELLOW



STEP	POWER CONNECTION		
	PHASE "U" BLUE	PHASE "V" BROWN	PHASE "W" VIOLET
1	+	-	-
2	+	-	-
3	-	+	-
4	-	+	-
5	-	-	+
6	-	-	+

EXCITATION SEQUENCE TABLE



ATTENTION
 Static-Sensitive Devices
 Handle Only at
 Static-Safe Workstations

3	AR	1M-2709	MARKING PROCEDURE
2	I	965060	FIELD ASSEMBLY
1	I	965053	ARMATURE & SENSOR ASSEMBLY
ITEM	QTY	IDENTIFYING NO.	DESCRIPTION
LIST OF PARTS			
		KOLLMORGEN	501 MAIN STREET RADFORD, VIRGINIA 24141
OUTLINE & ASSEMBLY BMS-1601			
DO NOT SCALE DRAWING USE DIMENSIONS ONLY ALL DIMENSIONS ARE IN INCHES		DRW BY: K. Robinson DATE: Aug-17-15 CHKD BY: A. Garlich	FSCM 11384 SIZE C DWG. NO. 965052 REV B
INTERPRET GEOMETRIC SYMBOLS PER ANSI Y14.5M-1982		SCALE: 2:1	JOB NO.: 2047508 SHEET 1 OF 1

THIS DOCUMENT IS ONLY FOR USE BY THE INTENDED RECIPIENT AND CONTAINS KOLLMORGEN CONFIDENTIAL INFORMATION

Pro/E Instance Name	ASSEMBLY_BMS1601_965052
Pro/E Drawing Name	965052
Pro/E Model Type	ASSEM
Pro/Engineer Drawing	

REV. NO. 965052