

NOTES:

1. MOTOR SUPPLIED AS TWO SEPARATE COMPONENTS, ARMATURE & SENSOR ASSEMBLY AND FIELD ASSEMBLY
2. FOR A C.C.W. ROTATION AS VIEWED FROM LEAD END, ENERGIZE PER EXCITATION SEQUENCE TABLE
3. R = 1.5K OHMS APPROX. (CUSTOMER SUPPLIED)
4. V-AB, V-BC AND V-CA IS BACK EMF OF MOTOR PHASES AB, BC AND CA RESPECTIVELY, ALIGNED WITH SENSORS
5. MOUNTING SURFACE IS BETWEEN $\varnothing 2.870$ [72.90] AND $\varnothing 2.991$ [75.97] ON BOTH SIDES
6. SENSORS OPTIMIZED FOR BI-DIRECTIONAL ROTATION
7. DIMENSIONS IN BRACKETS [] ARE IN MILLIMETERS AND ARE REFERENCE ONLY
8. RoHS AND REACH COMPLIANCE REQUIRED IN ACCORDANCE WITH KOLLMORGEN PRODUCT ENVIRONMENTAL COMPLIANT SPECIFICATION, 960303, IN ITS LATEST REVISION

MOTOR LEADS:

#18 AWG, TEFLON COATED PER MIL-W-22759/11
3 LEADS, 400 MM [15.75] MIN
1-BLUE, 1-BROWN, 1-VIOLET

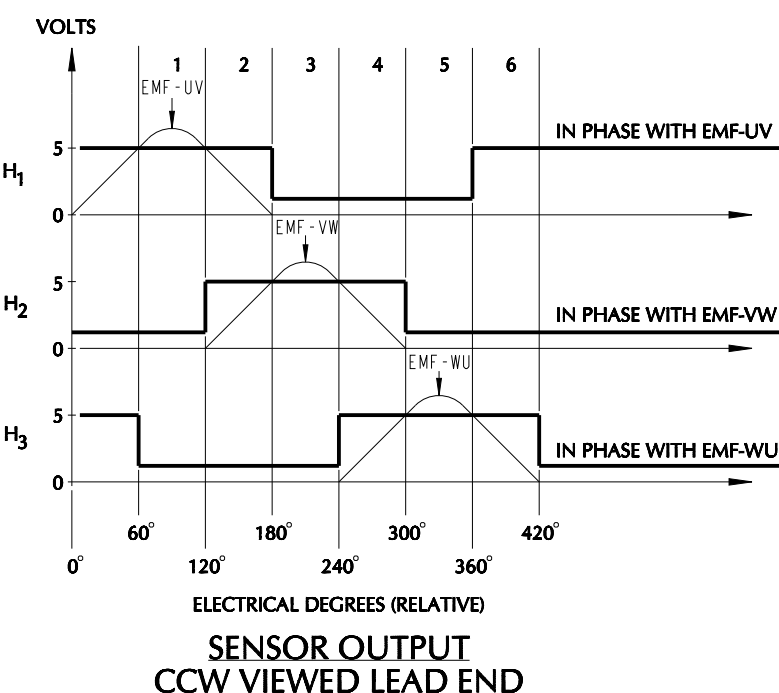
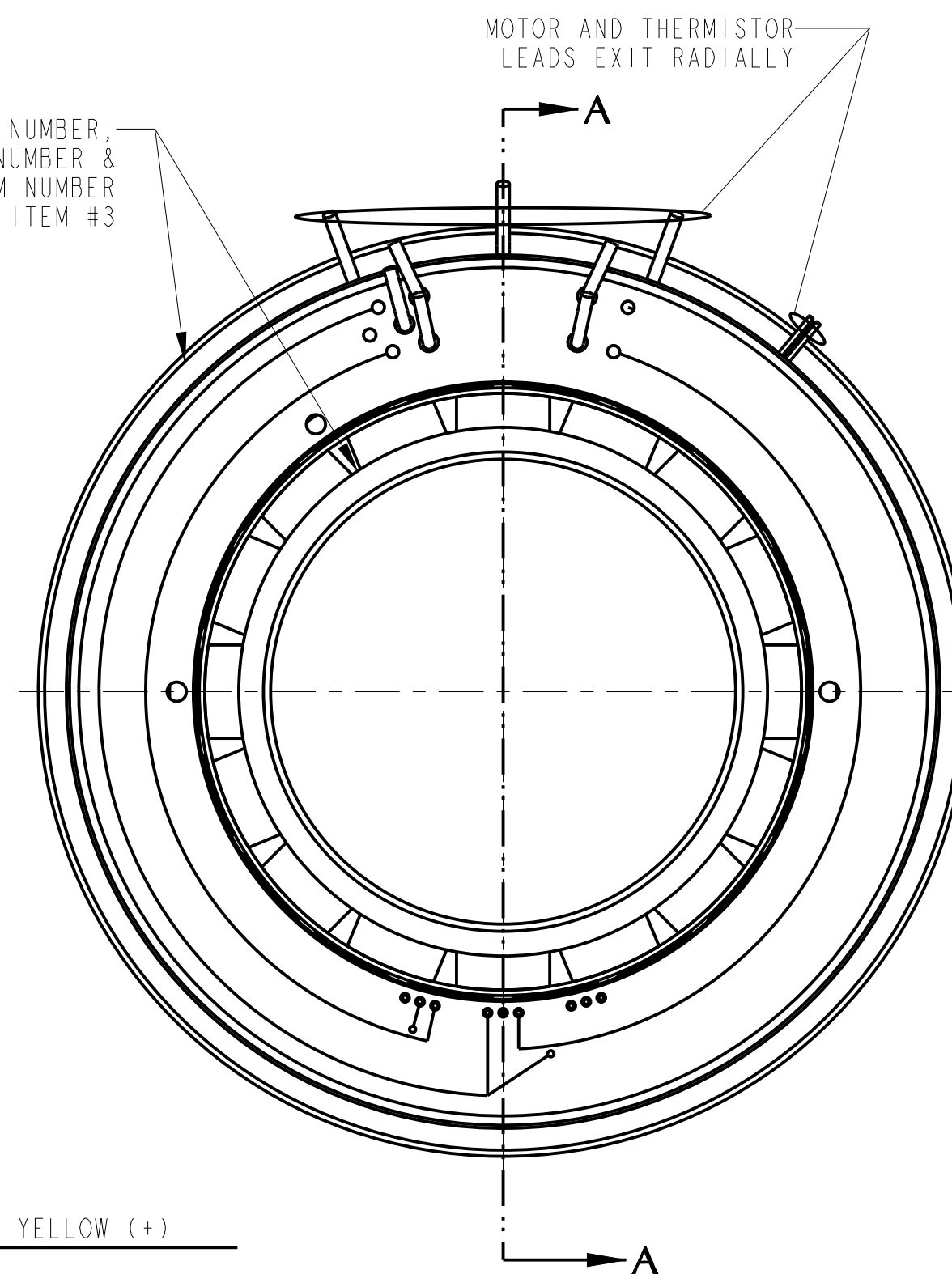
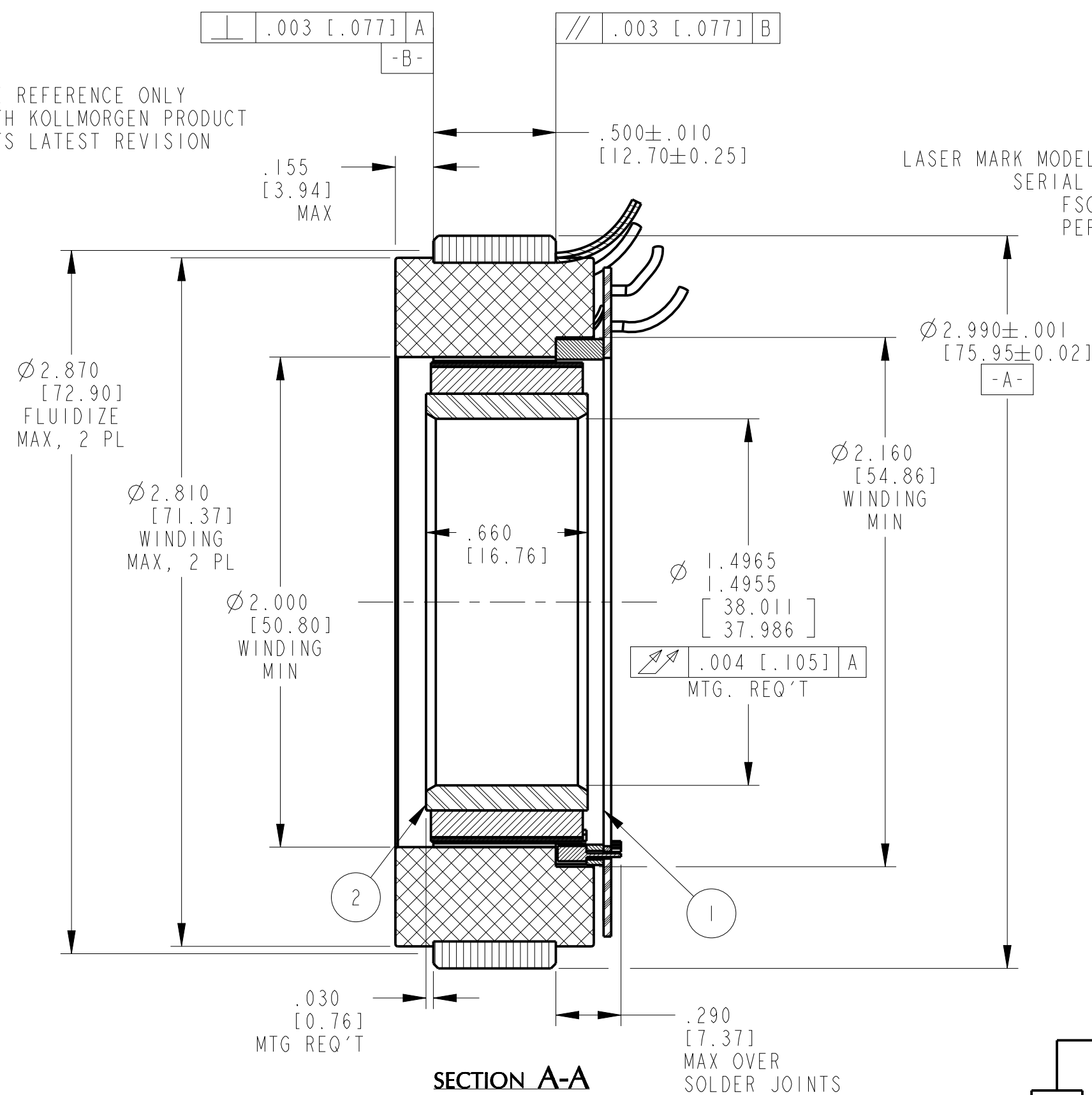
THERMISTOR LEADS:

KTY84/130 THERMISTOR
#26 AWG TEFLON COATED PER MIL-W-22759/11,
2 LEADS, 400 MM [15.75] MIN LG EACH
1-YELLOW, 1-BLACK

SENSOR LEADS:

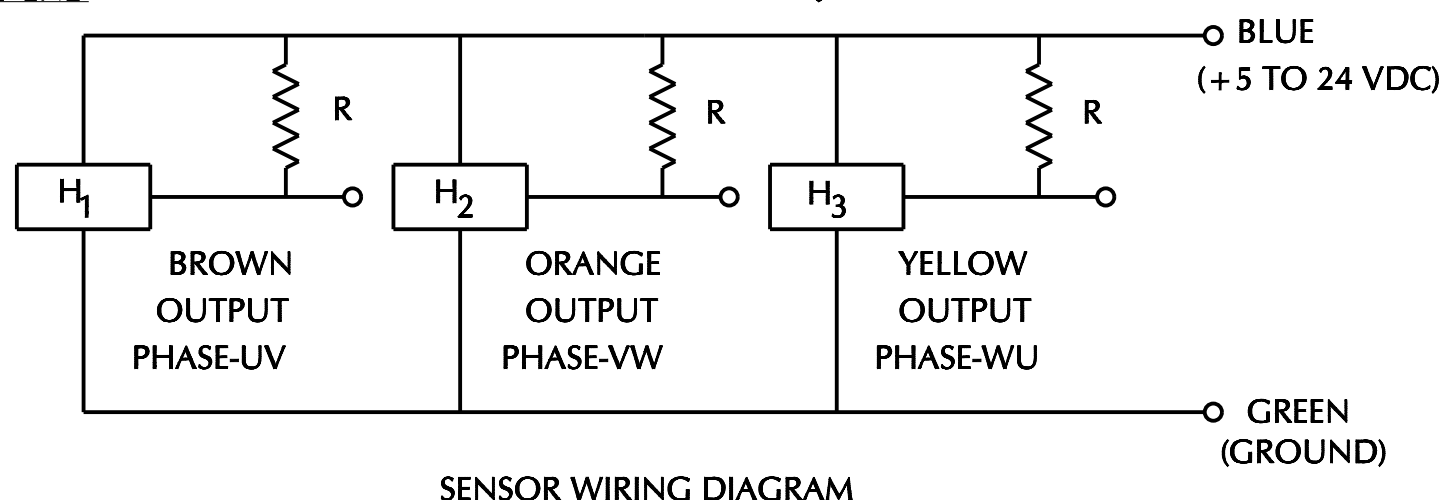
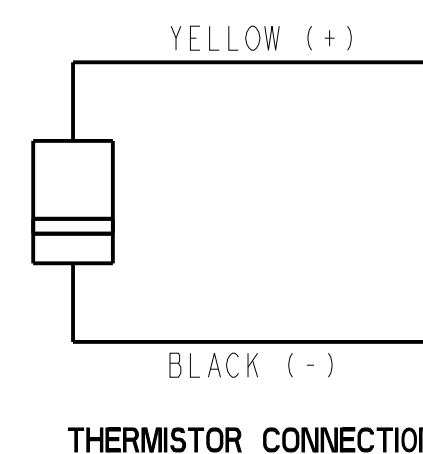
#28 AWG TEFLON COATED PER MIL-W-22759/11,
5 LEADS, 400 MM [15.75] MIN LG EACH
1-BLUE, 1-ORANGE, 1-BROWN, 1-GREEN, 1-YELLOW

| REVISION | | | | |
|----------|-----------|-------------|-------------|----------|
| REV | ECN NO. | DESCRIPTION | DATE | APPROVED |
| A | R01_17754 | SEE ECO | ALM 3/17/16 | KLR |
| B | R01_18730 | SEE ECO | ALM 3/10/17 | KLR |



| STEP | POWER CONNECTION | | |
|------|-------------------|--------------------|---------------------|
| | PHASE "U" BLUE | PHASE "V" BROWN | PHASE "W" VIOLET |
| 1 | + | - | - |
| 2 | + | - | - |
| 3 | - | + | - |
| 4 | - | + | - |
| 5 | - | - | + |
| 6 | - | - | + |

EXCITATION SEQUENCE TABLE



ATTENTION
Static-Sensitive Devices
Handle Only at Static-Safe Workstations

| ITEM | QTY | IDENTIFYING NO. | DESCRIPTION |
|------|-----|-----------------|----------------------------|
| 3 | AR | 1M-2709 | MARKING PROCEDURE |
| 2 | I | 965021 | FIELD ASSEMBLY |
| 1 | I | 965014 | ARMATURE & SENSOR ASSEMBLY |

LIST OF PARTS

| | | | |
|---|--|---|------------------|
| UNLESS OTHERWISE SPECIFIED: REMOVE ALL SHARP BURRS AND BREAK ALL SHARP EDGES XX DECIMAL PLACES ±.015 XXX DECIMAL PLACES ±.005 ANGULAR DIMENSIONS ±1° | | KOLLMORGEN 501 MAIN STREET RADFORD, VIRGINIA 24141 | |
| OUTLINE & ASSEMBLY BMS-2002 | | | |
| DO NOT SCALE DRAWING USE DIMENSIONS ONLY ALL DIMENSIONS ARE IN INCHES | DRAWN BY: K. Robinson DATE: Aug-17-15 | FSCM 11384 | SIZE C |
| INTERPRET GEOMETRIC SYMBOLS PER ANSI Y14.5M-1982 | CHECKED BY: A. Garlich | DWG. NO. 965013 | REV B |
| SCALE: 2:1 | | JOB NO.: 2047508 | SHEET 1 OF 1 |

THIS DOCUMENT IS ONLY FOR USE BY THE INTENDED RECIPIENT AND CONTAINS KOLLMORGEN CONFIDENTIAL INFORMATION

| | |
|---------------------|-------------------------|
| Pro/E Instance Name | ASSEMBLY_BMS2002_965013 |
| Pro/E Drawing Name | 965013 |
| Pro/E Model Type | ASSEM |

Pro/Engineer Drawing

REV. NO. 965013