

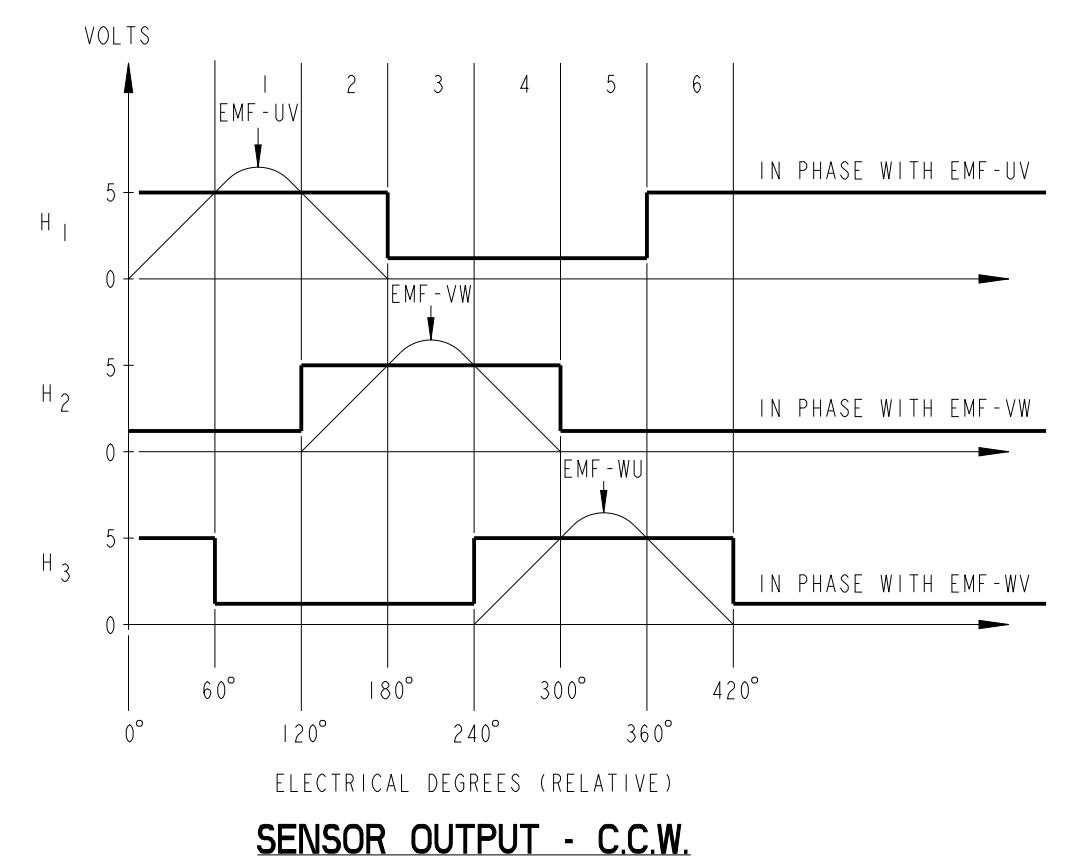
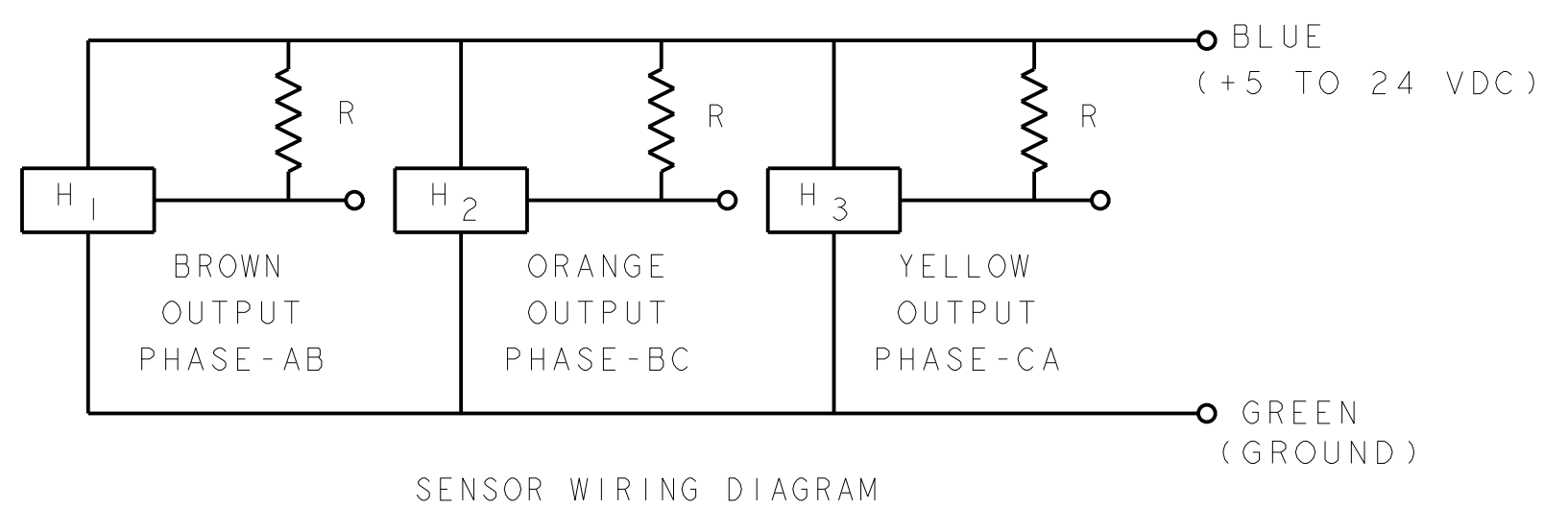
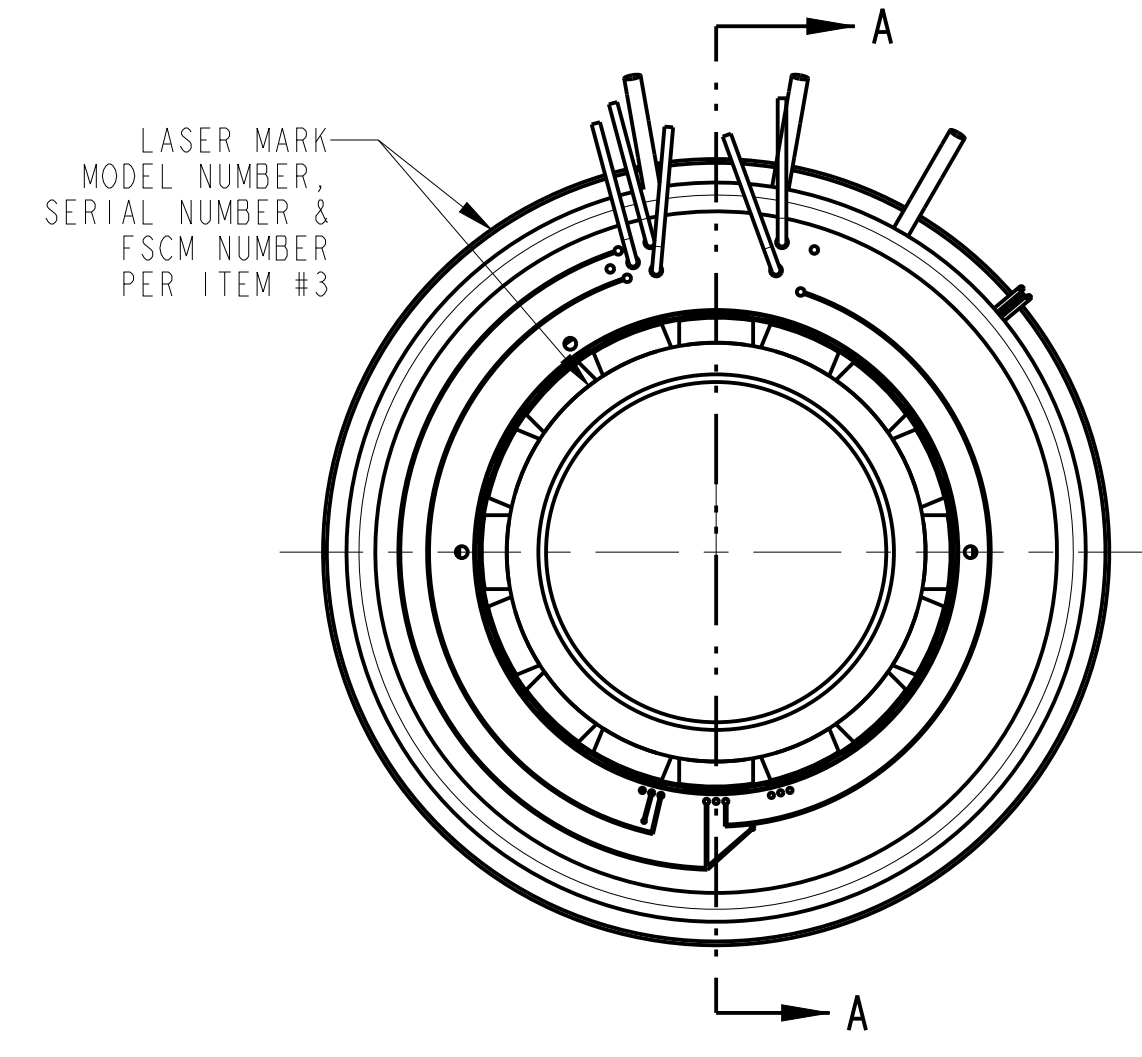
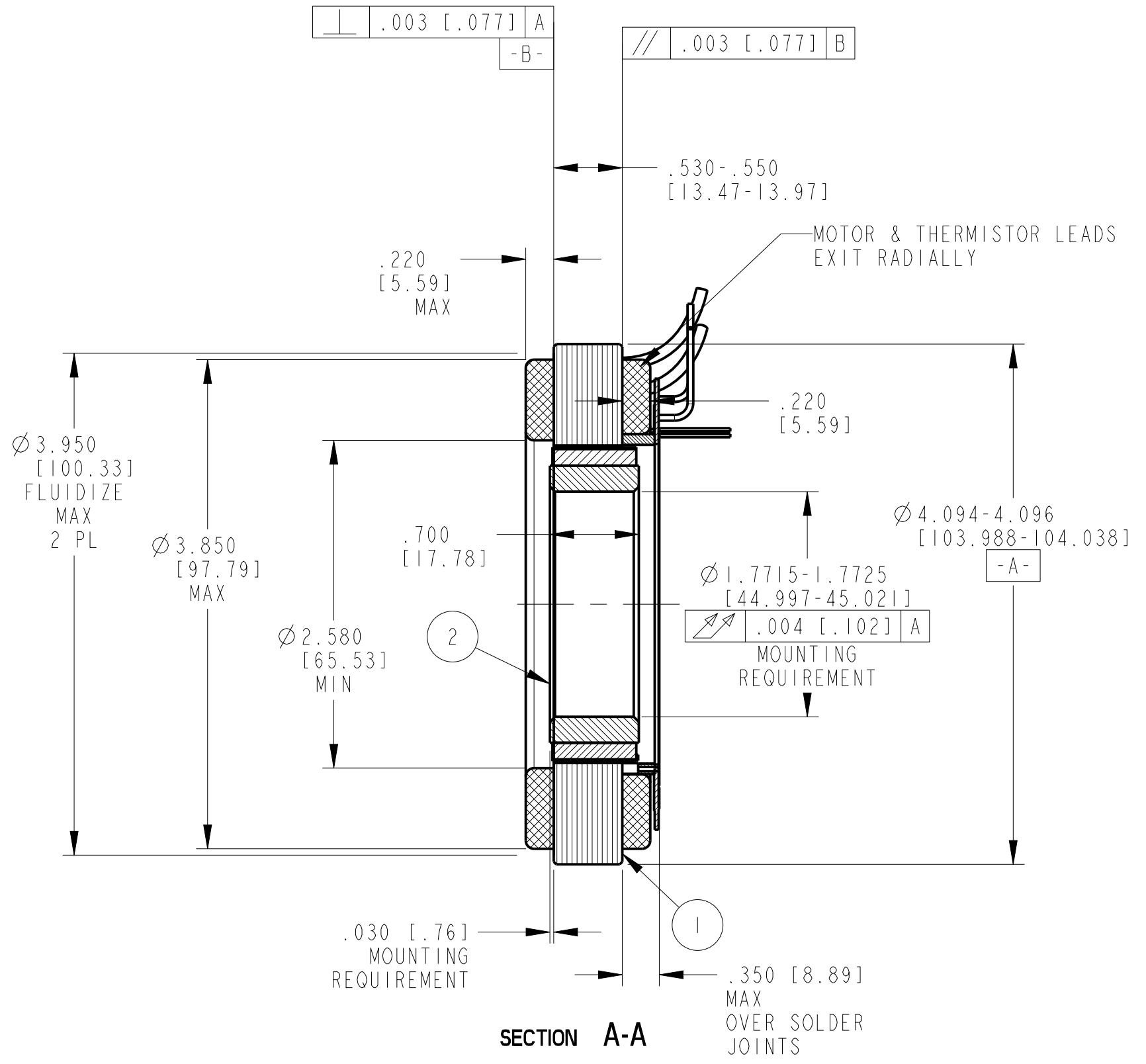
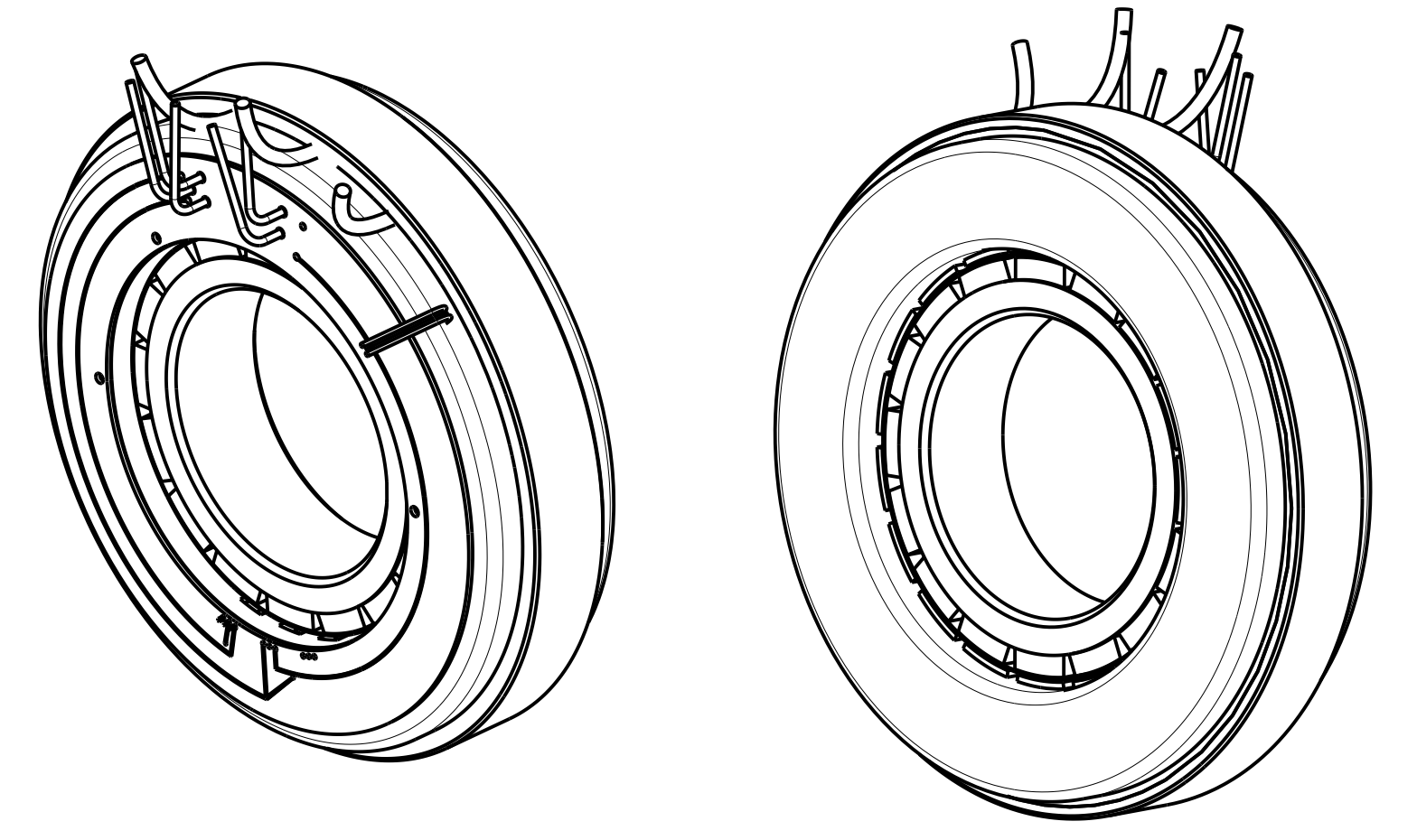
REV	ECN NO.	DESCRIPTION	DATE	APPROVED
A	R01_17754	SEE ECO	ALM 3/17/16	KLR
B	R01_18738	SEE ECO	ALM 3/10/17	KLR

- NOTES:
- MOTOR SUPPLIED AS TWO SEPARATE COMPONENTS.
  - FOR A C.C.W. ROTATION AS VIEWED FROM LEAD END, ENERGIZE PER EXCITATION SEQUENCE TABLE.
  - R = 1.5K OHMS APPROX. (CUSTOMER SUPPLIED).
  - EMF-UV, EMF-VW, AND EMF-WU IS BACK EMF FOR MOTOR PHASES UV, VW, AND WU ALIGNED WITH SENSOR OUTPUT SHOWN FOR CCW ROTATION ONLY.
  - MOUNTING SURFACE IS BETWEEN  $\phi 3.950$  [100.33] AND  $\phi 4.095$  [104.01] ON BOTH SIDES.
  - SENSORS OPTIMIZED FOR BI-DIRECTIONAL ROTATION.
  - DIMENSIONS IN BRACKETS [ ] ARE METRIC UNITS FOR REFERENCE ONLY.
  - RoHS AND REACH COMPLIANT IN ACCORDANCE WITH KOLLMORGEN PRODUCT ENVIRONMENTAL COMPLIANT SPECIFICATION, 960303, IN ITS LATEST REVISION.

**MOTOR LEADS:**  
 #16 AWG, TEFLON COATED PER MIL-W-22759/11  
 3 LEADS, 15.75" [400mm] MIN  
 1 - BLUE, 1 - BROWN, 1 - VIOLET

**THERMISTOR LEADS:**  
 KTY84/130 THERMISTOR  
 #26 AWG TEFLON COATED  
 PER MIL-W-22759/11  
 15.75" [400mm] MIN  
 EACH 1 - YELLOW, 1 - BLACK

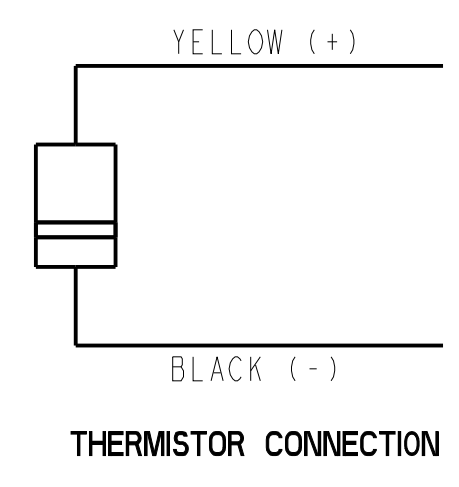
**SENSOR LEADS:**  
 #28 AWG TYPE "ET" TEFLON COATED  
 PER MIL-W-16878, 15.75" [400mm] MIN. LG. EA.  
 1-BLUE, 1-BROWN, 1-GREEN,  
 1-ORANGE & 1-YELLOW



**POWER CONNECTOR**

STEP	PHASE "U" BLUE	PHASE "V" BROWN	PHASE "W" VIOLET
1	(+)	(-)	(-)
2	(+)	(-)	(-)
3	(-)	(+)	(-)
4	(-)	(+)	(-)
5	(-)	(+)	(-)
6	(-)	(-)	(+)

**EXCITATION SEQUENCE TABLE**



**THIS DOCUMENT IS ONLY FOR USE BY THE INTENDED RECIPIENT AND CONTAINS KOLLMORGEN CONFIDENTIAL INFORMATION**

**ATTENTION**  
 Static-Sensitive Devices  
 Handle Only at Static-Safe Workstations

Pro/E Instance Name: D:\ML\BMS2509\_964979  
 Pro/E Drawing Name: 964979  
 Pro/E Model Type: ASSEM  
 Pro/Engineer Drawing

3	1	IM-2709	MARKING PROCEDURE
2	1	964987	FIELD ASSEMBLY
1	1	964980	ARMATURE & SENSOR ASSEMBLY
ITEM	QTY	IDENTIFYING NO.	DESCRIPTION
<b>LIST OF PARTS</b>			
<b>KOLLMORGEN</b>			501 MAIN STREET RADFORD, VIRGINIA 24141
OUTLINE BMS-2509			
UNLESS OTHERWISE SPECIFIED: REMOVE ALL SHARP BURRS AND BREAK ALL SHARP EDGES XX DECIMAL PLACES ±.015 XXX DECIMAL PLACES ±.005 ANGULAR DIMENSIONS ±1°		DATE: Aug-14-15	REV: B
DO NOT SCALE DRAWING USE DIMENSIONS ONLY	DESIGNED BY: C. Queen	CHECKED BY:	APPROVED BY:
INTERPRET GEOMETRIC SYMBOLS PER ANSI Y14.5M-1982	FSCM: 11384	SIZE: D	DWG. NO.: 964979
	SCALE: 1:1	JOB NO.:	SHEET 1 OF 1