

NOTES:

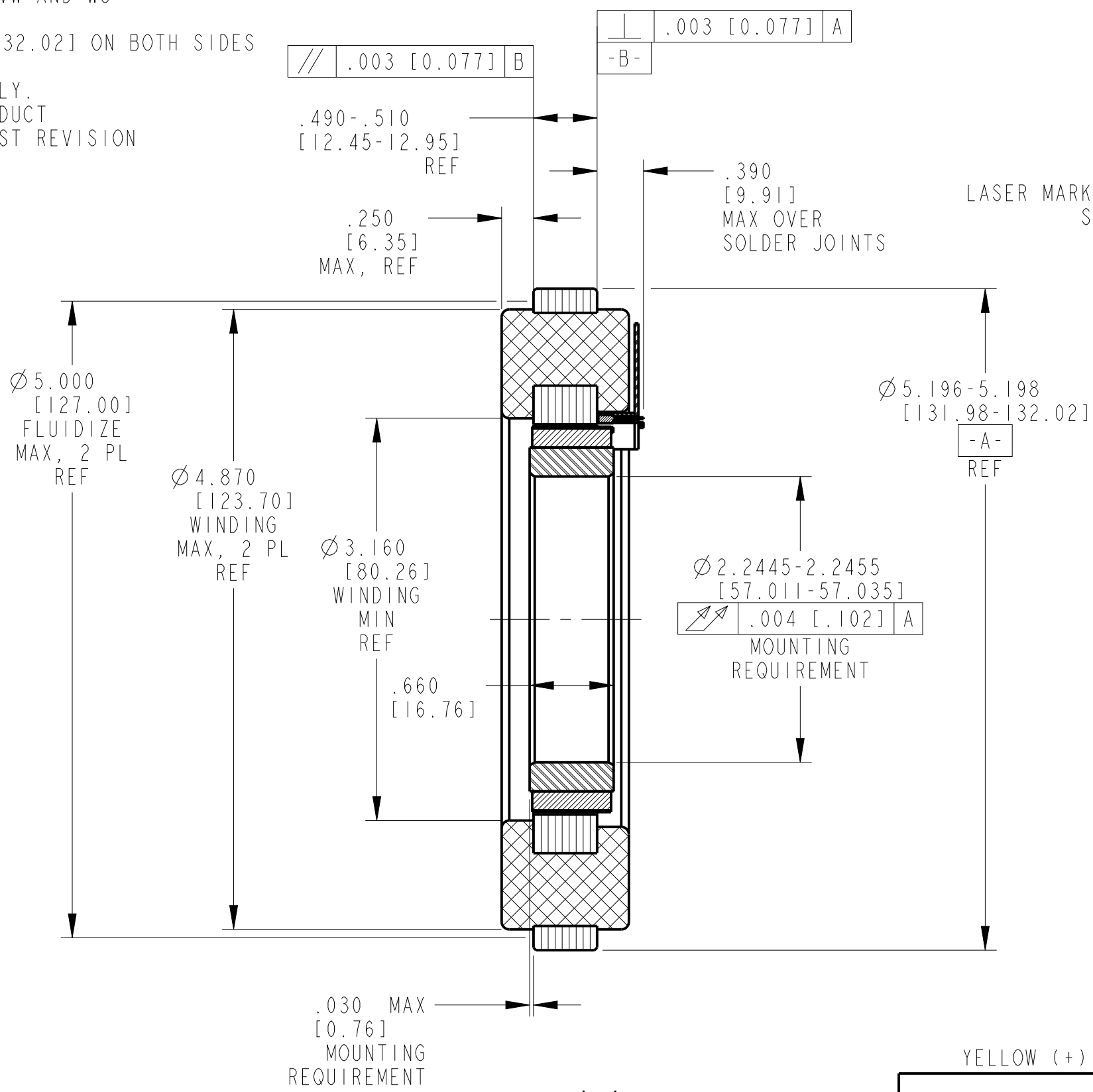
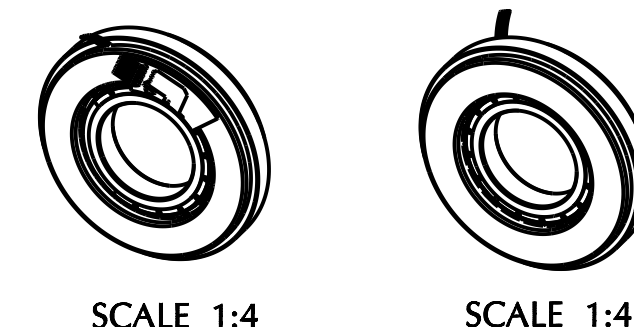
1. MOTOR SUPPLIED AS TWO SEPARATE COMPONENTS, ARMATURE & SENSOR ASSEMBLY AND FIELD ASSEMBLY.
2. FOR A C.C.W. ROTATION AS VIEWED FROM LEAD END, ENERGIZE PER EXCITATION SEQUENCE TABLE
3. R = 1.5K OHMS APPROX. (CUSTOMER SUPPLIED)
4. EMF-UV, EMF-VW AND EMF-WU IS BACK EMF OF MOTOR PHASES UV, VW AND WU ALIGNED WITH SENSOR OUTPUT SHOWN FOR CCW ROTATION ONLY
5. MOUNTING SURFACE IS BETWEEN  $\varnothing 5.000$  [127.00] AND  $\varnothing 5.198$  [132.02] ON BOTH SIDES
6. SENSORS OPTIMIZED FOR BI-DIRECTIONAL ROTATION.
7. DIMENSIONS IN BRACKETS [ ] ARE METRIC UNITS FOR REFERENCE ONLY.
8. RoHS AND REACH COMPLIANT IN ACCORDANCE WITH KOLLMORGEN PRODUCT ENVIRONMENTAL COMPLIANT SPECIFICATION, 960303, IN ITS LATEST REVISION

**MOTOR LEADS:**  
 #16 AWG, TEFLON COATED PER MIL-W-22759/11  
 3 LEADS, 400 MM [15.75] MIN LG EACH  
 1-BLUE, 1-BROWN, 1-VIOLET

**THERMISTOR LEADS:**  
 KTY184/130 THERMISTOR  
 #26 AWG TEFLON COATED  
 PER MIL-W-22759/11,  
 400 MM [15.75] MIN LG EACH  
 1-YELLOW, 1-BLACK

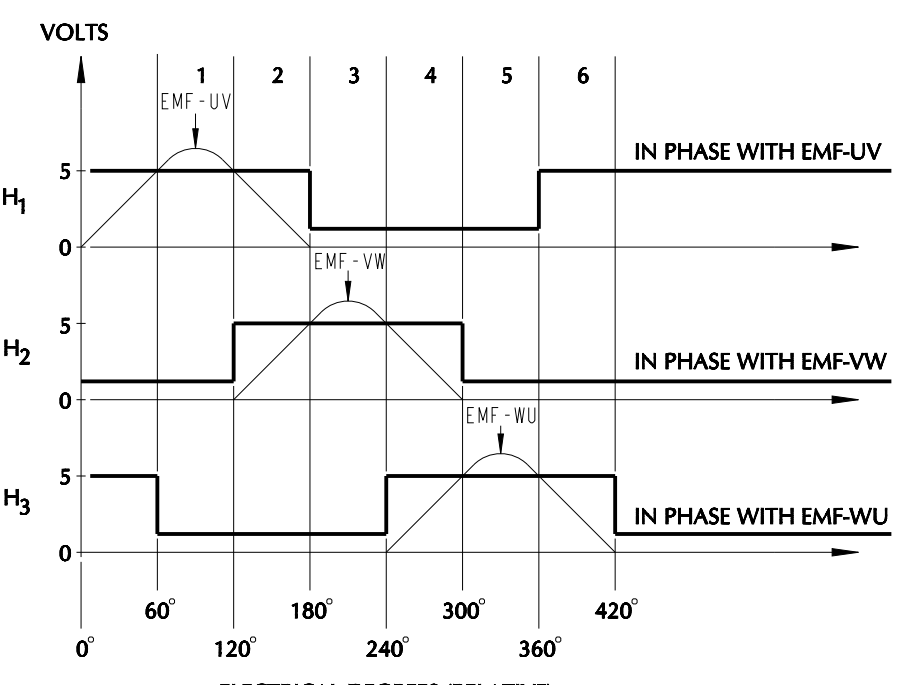
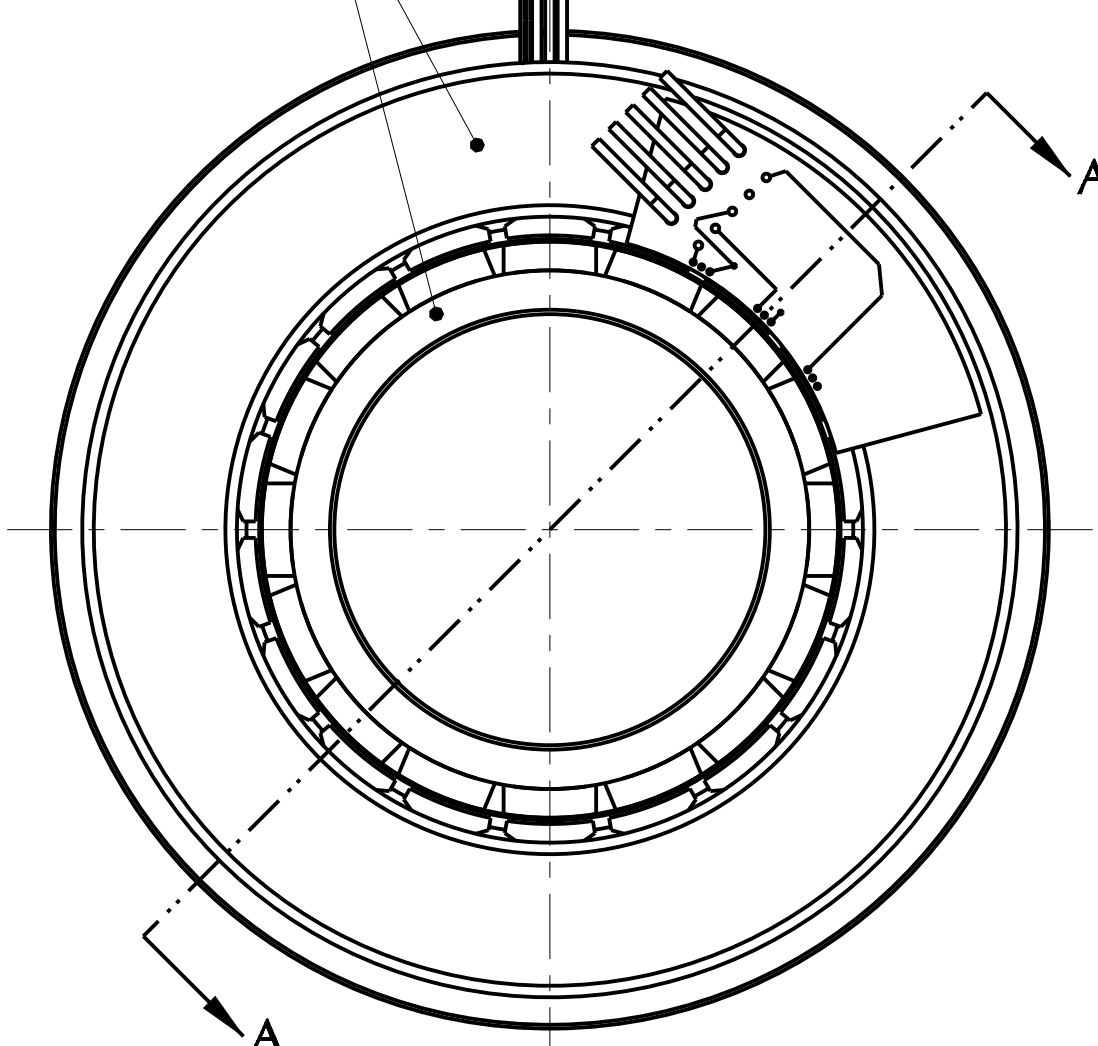
**SENSOR LEADS:**  
 #28 AWG TEFLON COATED PER  
 MIL-W-22759/11, 400 MM [15.75] MIN LG.  
 EACH 1- BLUE, 1-ORANGE  
 1-BROWN, 1-GREEN, 1-YELLOW

REVISION				
REV	ECN NO.	DESCRIPTION	DATE	APPROVED
A	R01.17754	SEE ECO	ALM 3/17/16	KLR



LASER MARK MODEL NUMBER, SERIAL NUMBER & FSCM NUMBER, PER ITEM #3

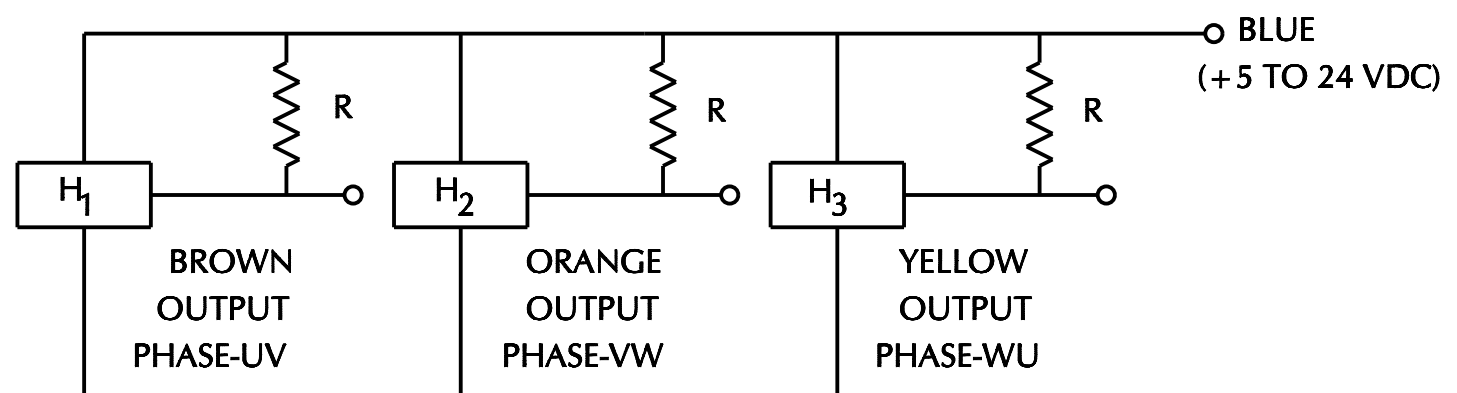
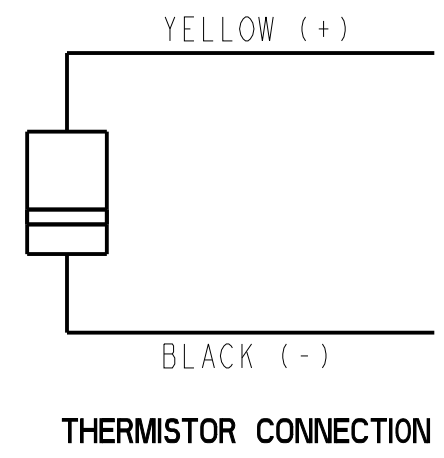
MOTOR AND THERMISTOR LEADS EXIT RADIALLY



SENSOR OUTPUT  
 CCW VIEWED LEAD END

STEP	POWER CONNECTION		
	PHASE "U" BLUE	PHASE "V" BROWN	PHASE "W" VIOLET
1	(+)	(-)	
2	(+)		(-)
3		(+)	(-)
4	(-)	(+)	
5	(-)		(+)
6		(-)	(+)

EXCITATION SEQUENCE TABLE



SENSOR WIRING DIAGRAM

**ATTENTION**  
 Static-Sensitive Devices  
 Handle Only at Static-Safe Workstations

6	AR	1M-2709	MARKING PROCEDURE
5	I	964953	FIELD ASSEMBLY
4	I	964947	ARMATURE & SENSOR ASSEMBLY
ITEM	QTY	IDENTIFYING NO.	DESCRIPTION
LIST OF PARTS			
		<b>KOLLMORGEN</b>	501 MAIN STREET RADFORD, VIRGINIA 24141
OUTLINE & ASSEMBLY BMS-3101			
DO NOT SCALE DRAWING USE DIMENSIONS ONLY ALL DIMENSIONS ARE IN INCHES		DATE: Aug-20-15 DRAWN BY: K. Robinson CHECKED BY: A. Garlich	FSCM: 11384 SIZE: C DWG. NO.: 964946 REV: A
INTERPRET GEOMETRIC SYMBOLS PER ANSI Y14.5M-1982		SCALE: 1:1	JOB NO.: 2047508 SHEET 1 OF 1

THIS DOCUMENT IS ONLY FOR USE BY THE INTENDED RECIPIENT AND CONTAINS KOLLMORGEN CONFIDENTIAL INFORMATION

Pro/E Instance Name: ASSEMBLY.964946  
 Pro/E Drawing Name: 964946  
 Pro/E Model Type: ASSEM

Pro/Engineer Drawing

REV. NO. 964946